

BASIC TYPES OF HEBREW PARALLELISM
--

A. Synonymous –**1. Complete:**

A – B – C // A' – B' – C'

Pattern

Line length (Syllables)

Psalm 94:16 Who rises-up for-me against the-wicked?
Who stands-up for-me against the-doers-of-evil?

A – B – C – D – E

(8)

A – B' – C – D – E'

(9)

Psalm 94:7 And – they – say,
 “The Lord does-not see
and-the-God-of-Jacob does-not understand.”

A – B – C

(4)

A' – B' – C'

(4)

A' – B' – C'

(9)

2. Incomplete:

A – B – C // A' – B'

Psalm 96:13b He-will-judge the-world with-righteousness
and-the-peoples with-his-truth

A – B – C

(6)

B' – C'

(8)

Psalm 100:4a Enter His-gates with-thanks-giving
His-courts with-praise

A – B – C

(8)

B' – C'

(7)

3. Incomplete with Compensation: A – B – C // A' – C' – D

Psalm 96:1 Sing to-the-LORD a-new song
Sing to-the-LORD all the-earth

A – B – C – D

(8)

A – B E – F

(8)

Psalm 98:5 Sing-praises to-the-LORD with-the-lyre
with-the-lyre and-the-sound of-melody

A – B – C

(9)

C – D – E

(7)

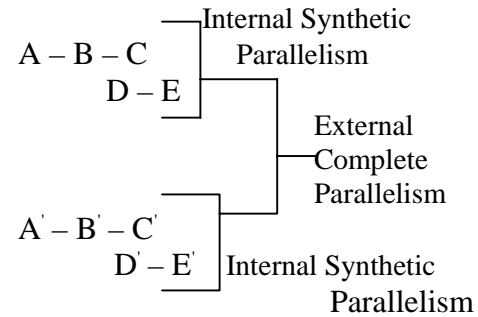
EXTERNAL PARALLELISM

Correspondence between bicola (as well as within them)

Isaiah 1:10

Hear the-word of-the-Lord,
you-rulers of-Sodom!

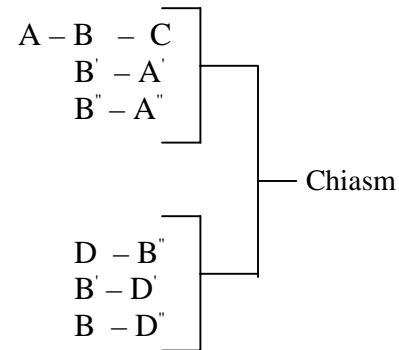
Give-ear-to the-teaching of-our-God
you-people of-Gomorrah!



Isaiah 6:10

Make-fat the-heart of-this-people
and-their-ears make-heavy,
and-their-eyes make-shut

Lest-they-see with-their-eyes,
and-with-their-ears hear
and-with-their-heart understand
And turn and be healed.



Syntactical Parallelism in Isaiah 6:10

A/A'/A"	--	Verb
B/B'/B"	--	Noun (body part)
C	--	Margin
D/D'/D"	--	New Verb